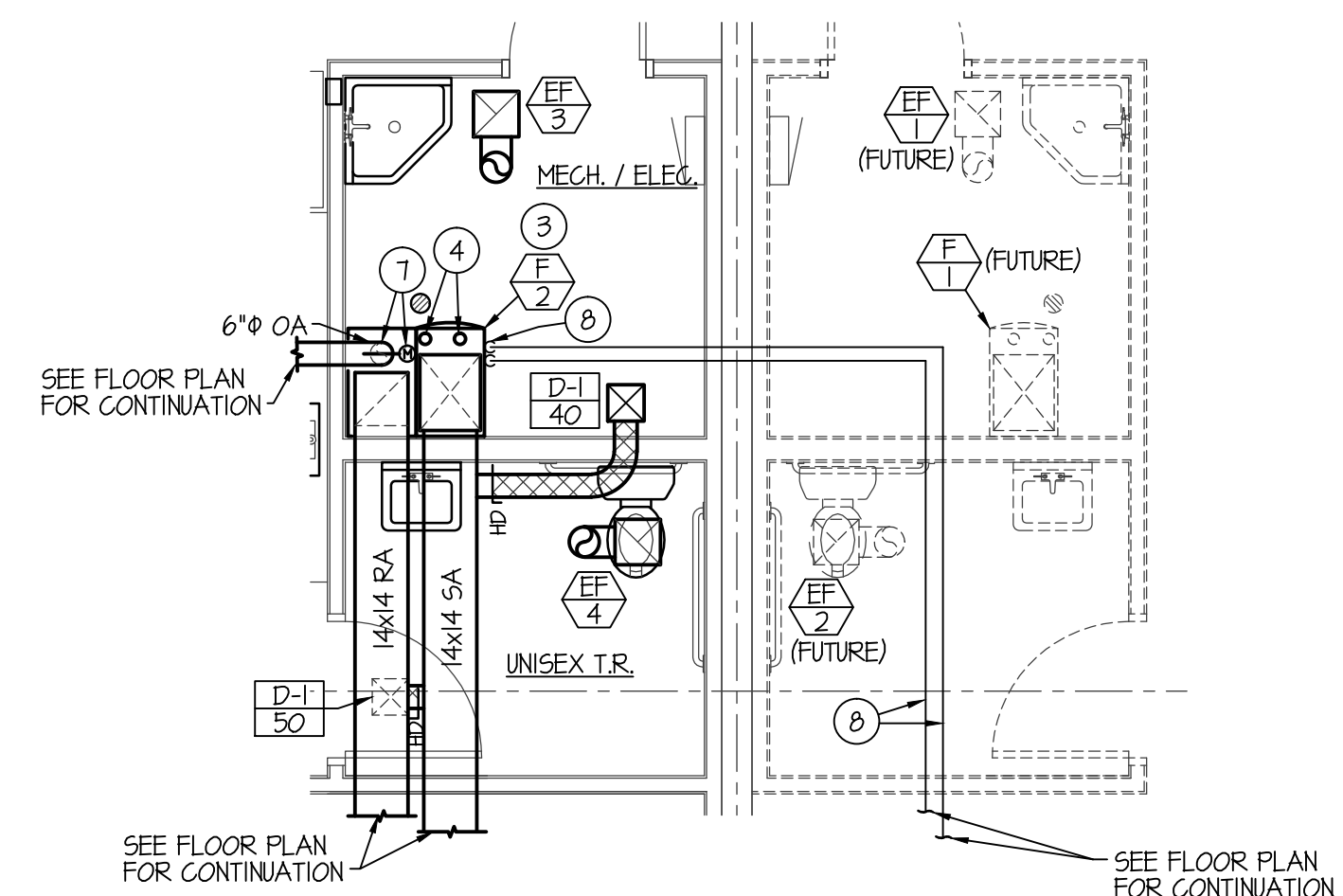
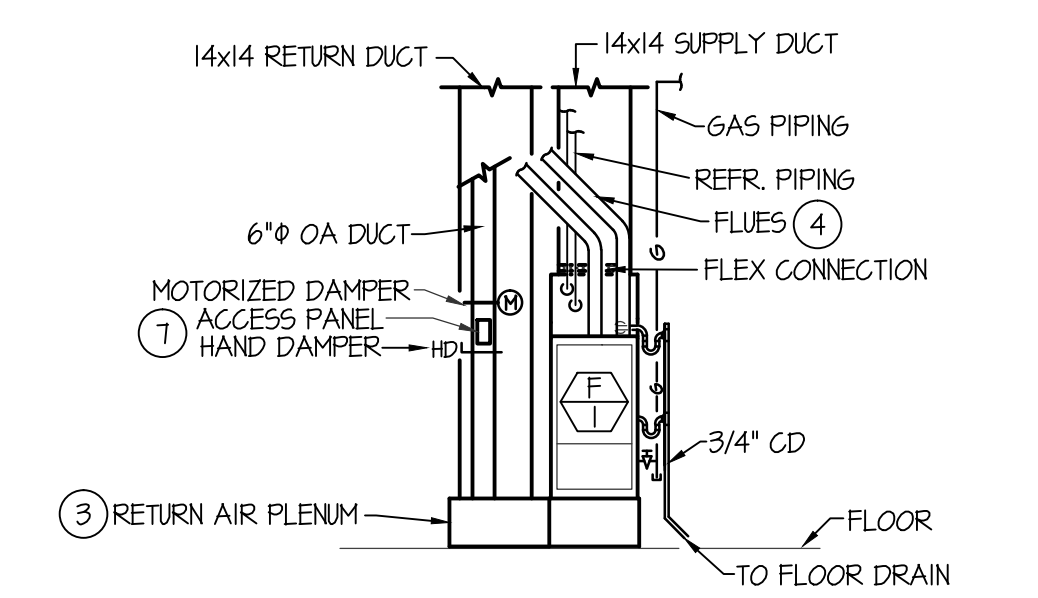


**TENANTS 1, 2 & 3  
MECHANICAL FLOOR PLAN**  
SCALE: 1/8" = 1'-0"



**TYPICAL LARGE SCALE  
MECHANICAL ROOM PLAN**  
SCALE: 1/4" = 1'-0"



**TYPICAL UPFLOW FURNACE  
ELEVATION**  
NO SCALE

- PLAN NOTES:**
- 1 MOUNT UNIT HEATER AT 10'-0" AFF TO BOTTOM OF UNIT.
  - 2 COVER EXPOSED REFRIGERANT PIPING WITH SHEET METAL COVER AS PER DETAIL ON SHEET M-3.
  - 3 INSTALL FURNACE ON 12" HIGH RETURN AIR PLENUM. SEE DETAIL ON SHEET M-3.
  - 4 RISE (2) 3" FURNACE FLUES UP FROM FURNACE THRU METAL ROOF TO VERTICAL VENT TERMINATION ASSEMBLY. SEAL ROOF PENETRATION WEATHERTIGHT. SEE DETAIL ON SHEET M-3.
  - 5 RISE UNIT HEATER CONCENTRIC FLUES UP THRU ROOF TO VERTICAL VENT TERMINATION ASSEMBLY. SIZE AND MATERIAL OF FLUES TO BE ACCORDING TO MFG. INSTRUCTIONS. SEE DETAIL ON SHEET M-4.
  - 6 RUN UNIT HEATER CONCENTRIC FLUES THRU EXTERIOR WALL TO HORIZONTAL VENT TERMINATION ASSEMBLY. SIZE AND MATERIAL OF FLUES TO BE ACCORDING TO MFG. INSTRUCTIONS. SEE DETAIL ON SHEET M-3.
  - 7 INSTALL MOTORIZED DAMPER, HAND DAMPER AND ACCESS PANEL IN VERTICAL PORTION OF 6" OUTSIDE AIR DUCT CONNECTING TO RETURN AIR PLENUM. INTERLOCK MOTORIZED DAMPER WITH FURNACE OPERATION AND BALANCE HAND DAMPER TO 100 CFM.
  - 8 RISE REFR. PIPING UP IN STUD SPACE OF EXTERIOR WALL TO ABOVE CEILING OF OFFICE AREA AND RUN TO MECH. ROOM AND CONNECT TO DX COOLING COIL AS SHOWN. SEE DETAIL ON SHEET M-3 FOR PIPE SUPPORT.
  - 9 RUN 6" OUTSIDE AIR DUCT AS HIGH AS POSSIBLE TO ROOF CAP LOCATED ON ROOF ABOVE. SEAL ROOF PENETRATION WEATHERTIGHT. MAINTAIN 10'-0" CLEARANCE FROM ROOF CAP TO ALL EXHAUST, FLUES AND PLUMBING VENTS ON ROOF.

MECHANICAL LEGEND	
SYMBOL	DESCRIPTION
	ELECTRONIC THERMOSTAT
	EQUIPMENT SYMBOL
	ELECTRIC WALL HEATER
	HAND DAMPER
	ROUND BRANCH DUCT WITH HAND DAMPER
	RECTANGULAR SUPPLY AND RETURN AIR DUCT TAKE-OFF
	TURNING VANES
	DUCT TRANSITION
	INSULATED FLEXIBLE DUCT
	SIDEWALL REGISTER SUPPLY OR RETURN AIR
	RETURN AIR OR EXHAUST GRILLE
	CEILING DIFFUSER
	CEILING MOUNTED EXHAUST FAN

ORIGINAL DRAWING SIGNED BY: DWYANE C. SUDWEEKS  
DATE ORIGINAL SIGNED: JULY 19, 2019  
ORIGINAL ON FILE AT ENGINEERED SYSTEMS ASSOCIATES  
1355 EAST CENTER, POCATELLO, IDAHO 83201

PROFESSIONAL ENGINEER  
REGISTERED  
5762  
STATE OF IDAHO  
DWYANE C. SUDWEEKS

**Engineered  
Systems  
Associates**

1355 EAST CENTER  
POCATELLO, IDAHO 83201  
PHONE: (208) 233-0501  
FAX: (208) 233-0529  
EMAIL: esa@engsystems.com  
ESA JOB NUMBER: 19032

LICENSED ARCHITECT  
AR-2650  
MARLA R. MORGAN  
STATE OF IDAHO

marlamorgan  
**architect**  
PLLC

MARLA MORGAN, Architect  
Ph: 208.270.2244  
E-MAIL: morganimr@cobleone.net

OWNER: **HEYREND PROPERTIES, LLC**  
**New Warehouse Building**  
Location: Heyrend Way Idaho Falls, Idaho 83402

SHEET CONTENTS

**TENANTS 1, 2 & 3  
MECHANICAL FLOOR PLAN**

REVISIONS	NO	DATE	DESCRIPTION

SHEET NUMBER  
**M-1 OF 4**